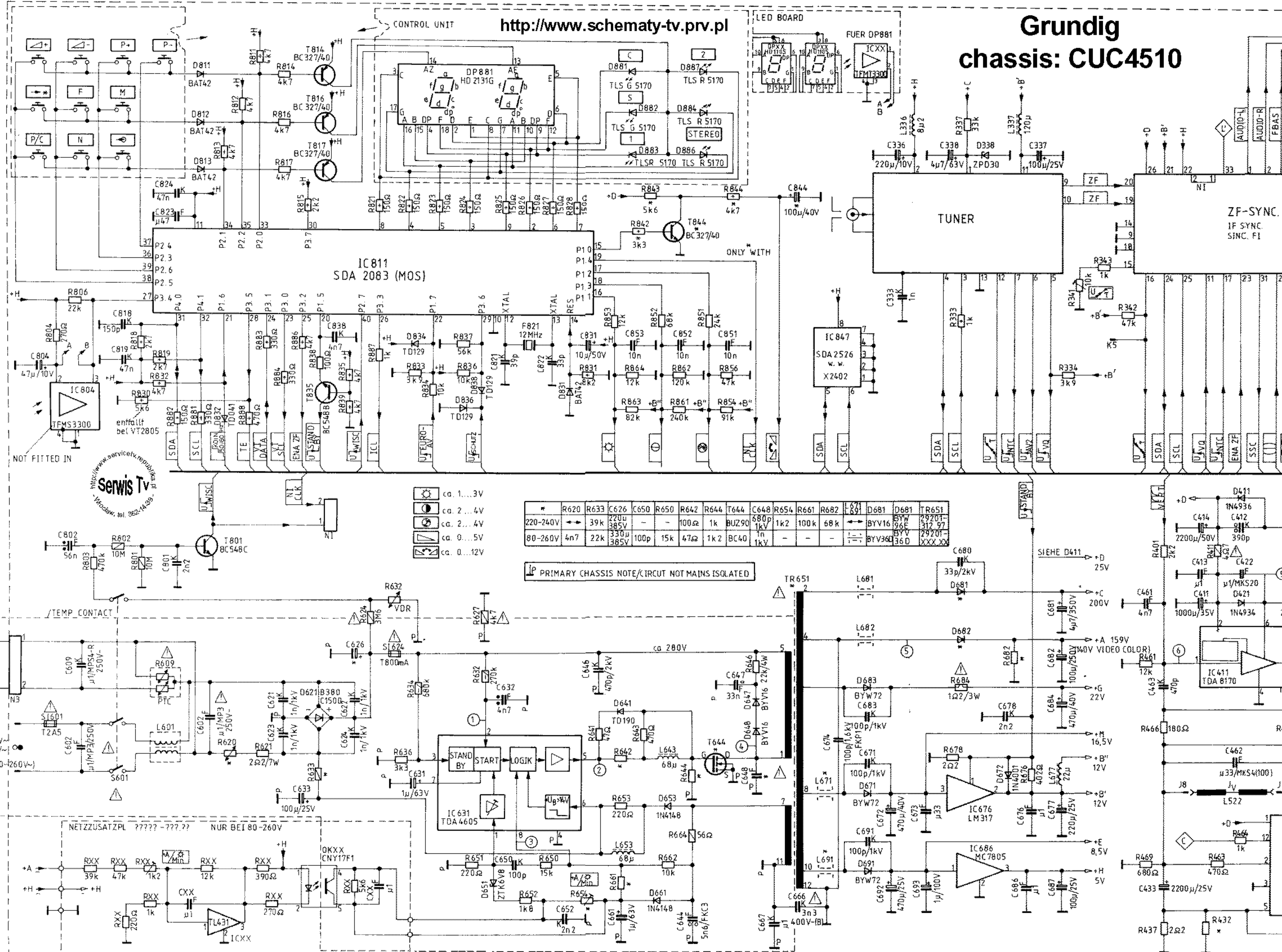


Grundig chassis: CUC4510

<http://www.schematy-tv.prv.pl>



serwis Tv
www.servistv.republika.pl
Wrocław, tel. 962-14-99

*	R620	R633	C626	C650	R650	R642	R644	T644	C648	R654	R661	R682	D681	D681	TR651
	220-240V	←	39k	220u	385V	-	100Ω	1k	BUZ90	880p	1kV	100k	68k	BYV16	29201-
	80-260V	4n7	22k	330u	385V	100p	15k	47Ω	1k2	1kV	-	-	BYV360	360	312 97
								BC40	1kV	-	-	-	-	BYV360	360

PRIMARY CHASSIS NOTE/CIRCUIT NOT MAINS ISOLATED

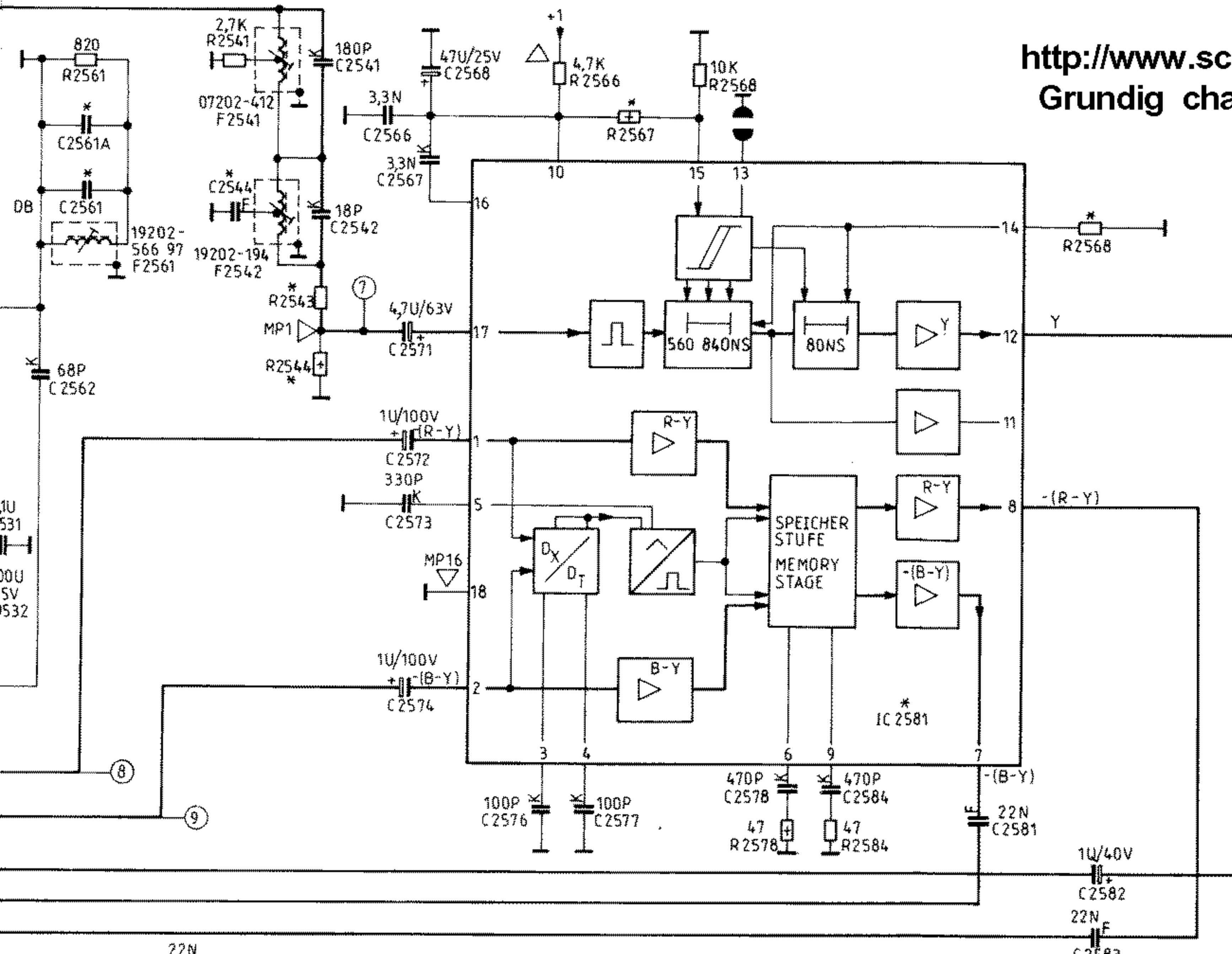
- ca. 1...3V
- ca. 2...4V
- ca. 2...4V
- ca. 0...5V
- ca. 0...12V

DEGAUSSING
DEMAGNETISATION/MAGNET
TILZZ

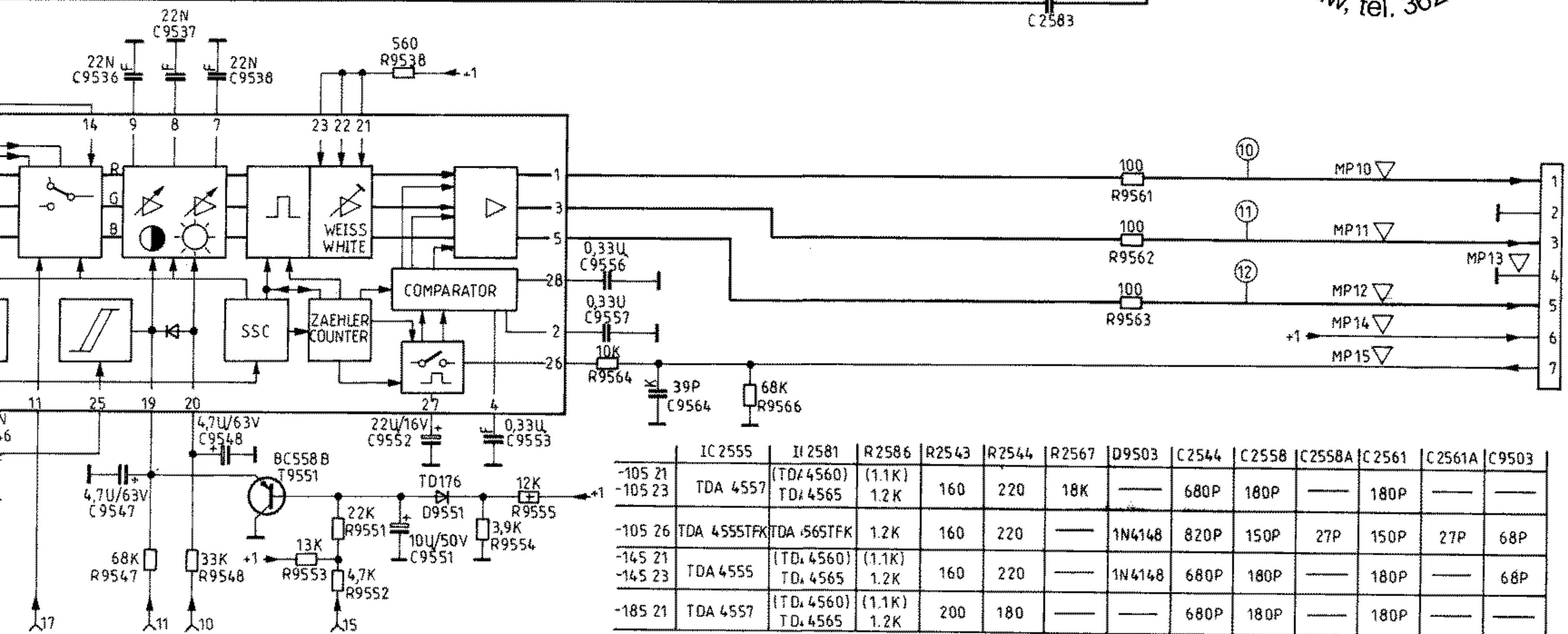
NETZZUSATZPL ????? - ????

NUR BEI 80-260V

<http://www.schematy-tv.prv.pl>
 Grundig chassis: CUC4510



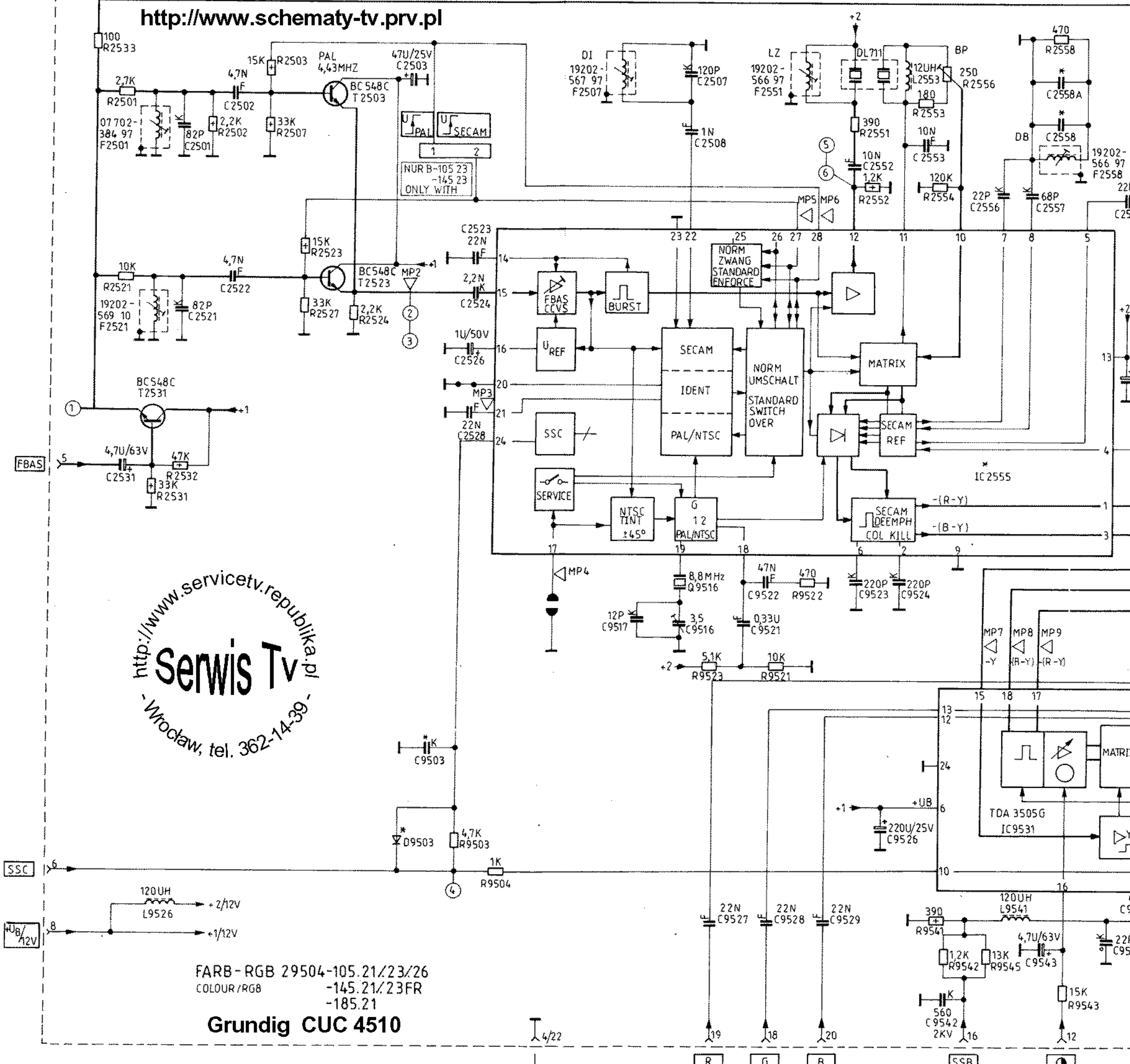
<http://www.servicetv.republika.pl>
Serwis Tv
 - Wroclaw, tel. 362-14-39 -



	IC 2555	IC 2581	R2586	R2543	R2544	R2567	D9503	C2544	C2558	C2558A	C2561	C2561A	C9503
-105 21	TDA 4557	(TD. 4560)	(1.1K)	160	220	18K	—	680P	180P	—	180P	—	—
-105 23	TDA 4557	TD. 4565	1.2K	160	220	—	—	680P	180P	—	180P	—	—
-105 26	TDA 4555TFK	TDA 4565TFK	1.2K	160	220	—	1N4148	820P	150P	27P	150P	27P	68P
-145 21	TDA 4555	(TD. 4560)	(1.1K)	160	220	—	—	680P	180P	—	180P	—	—
-145 23	TDA 4555	TD. 4565	1.2K	160	220	—	1N4148	680P	180P	—	180P	—	68P
-185 21	TDA 4557	(TD. 4560)	(1.1K)	200	180	—	—	680P	180P	—	180P	—	—

BILDROHRPLATTE
 CRT BASE

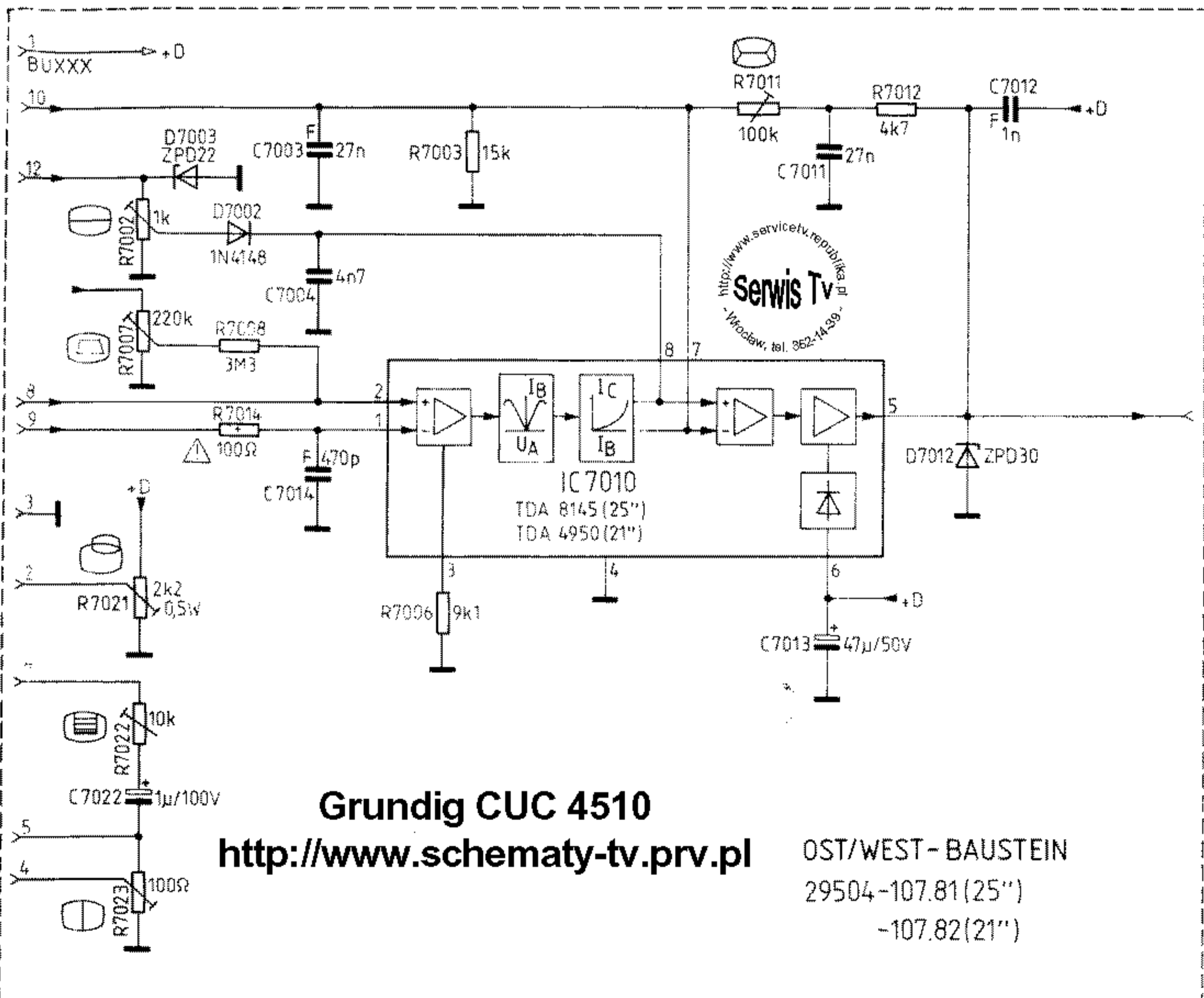
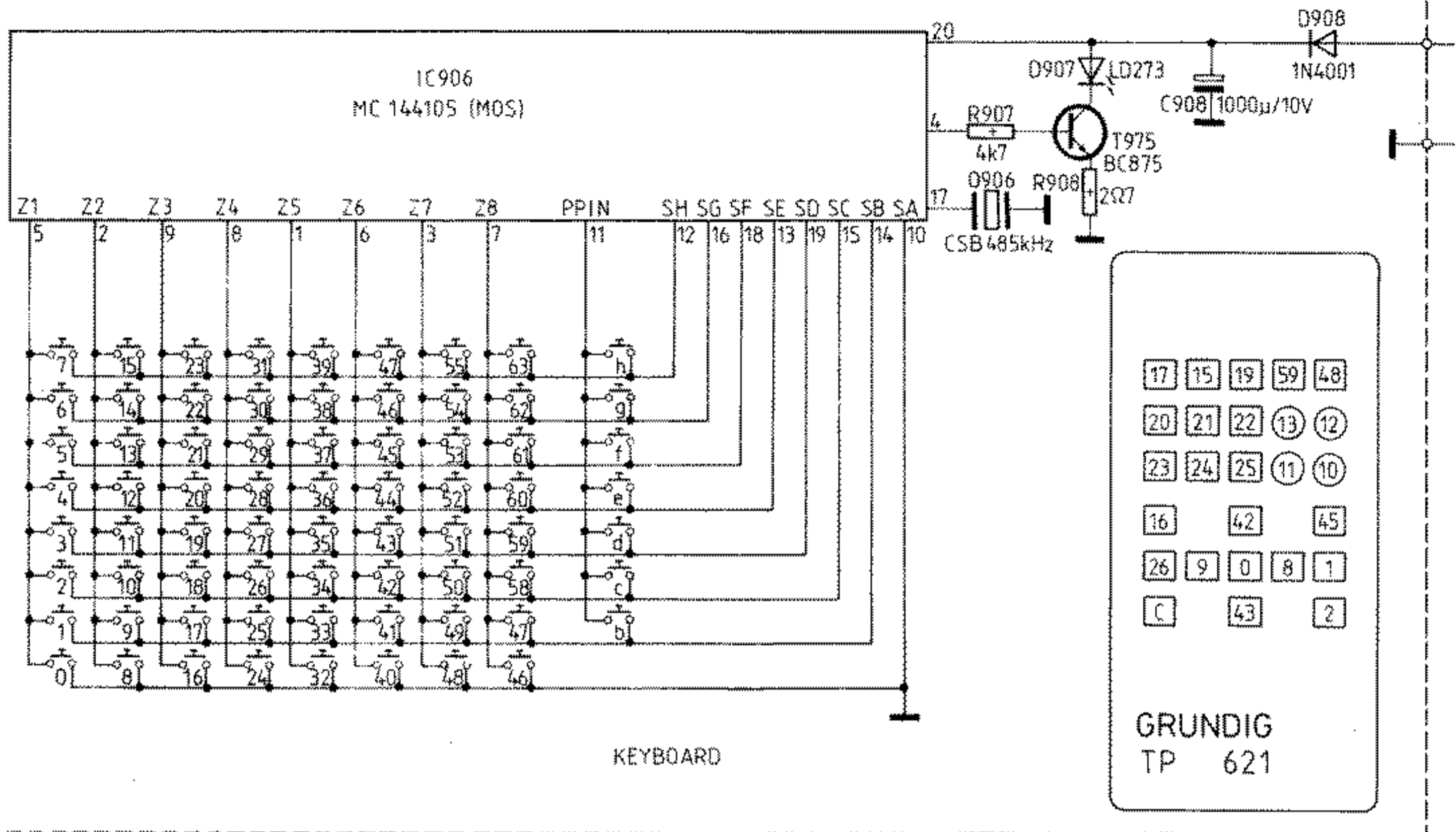
R
 G
 B
 +12V
 SW

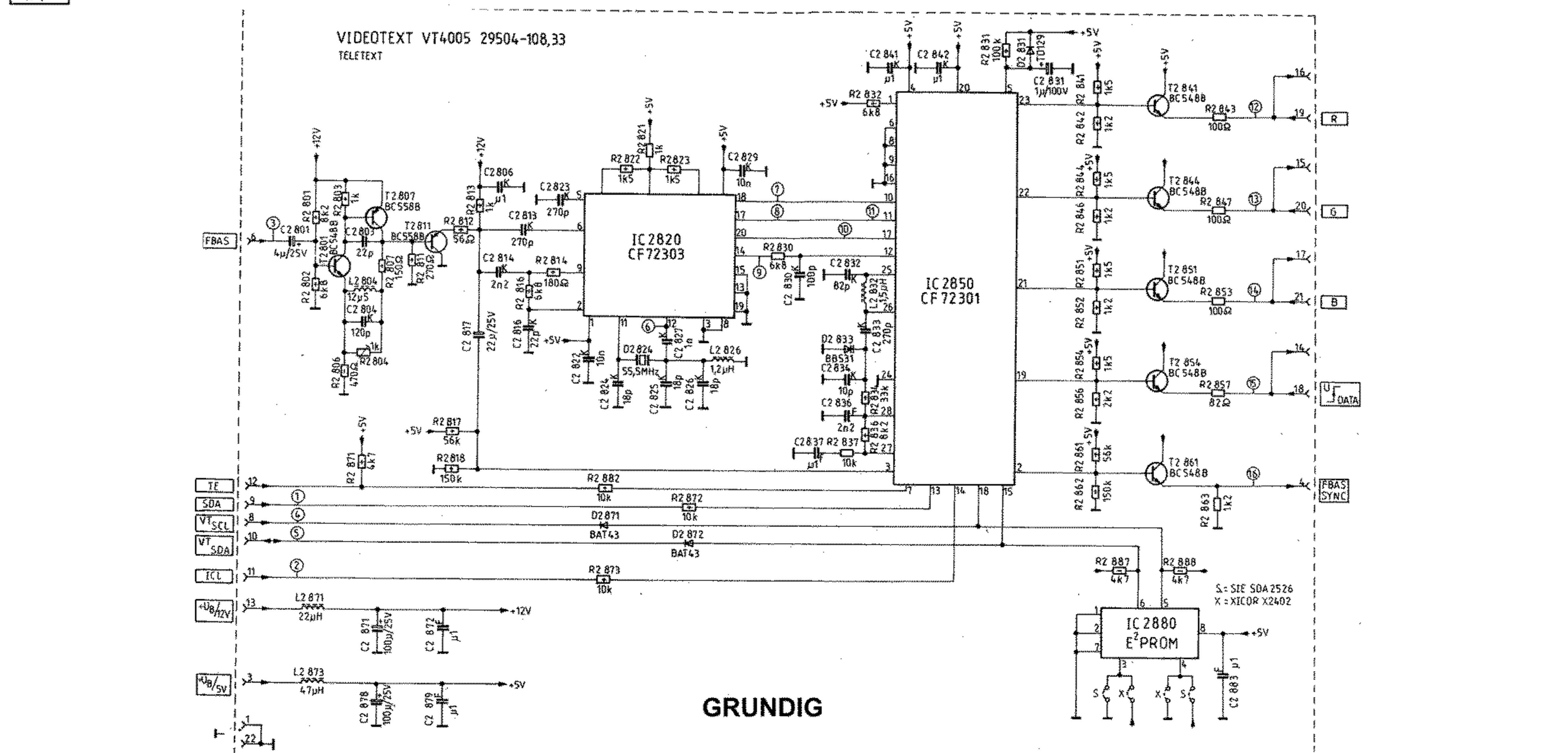
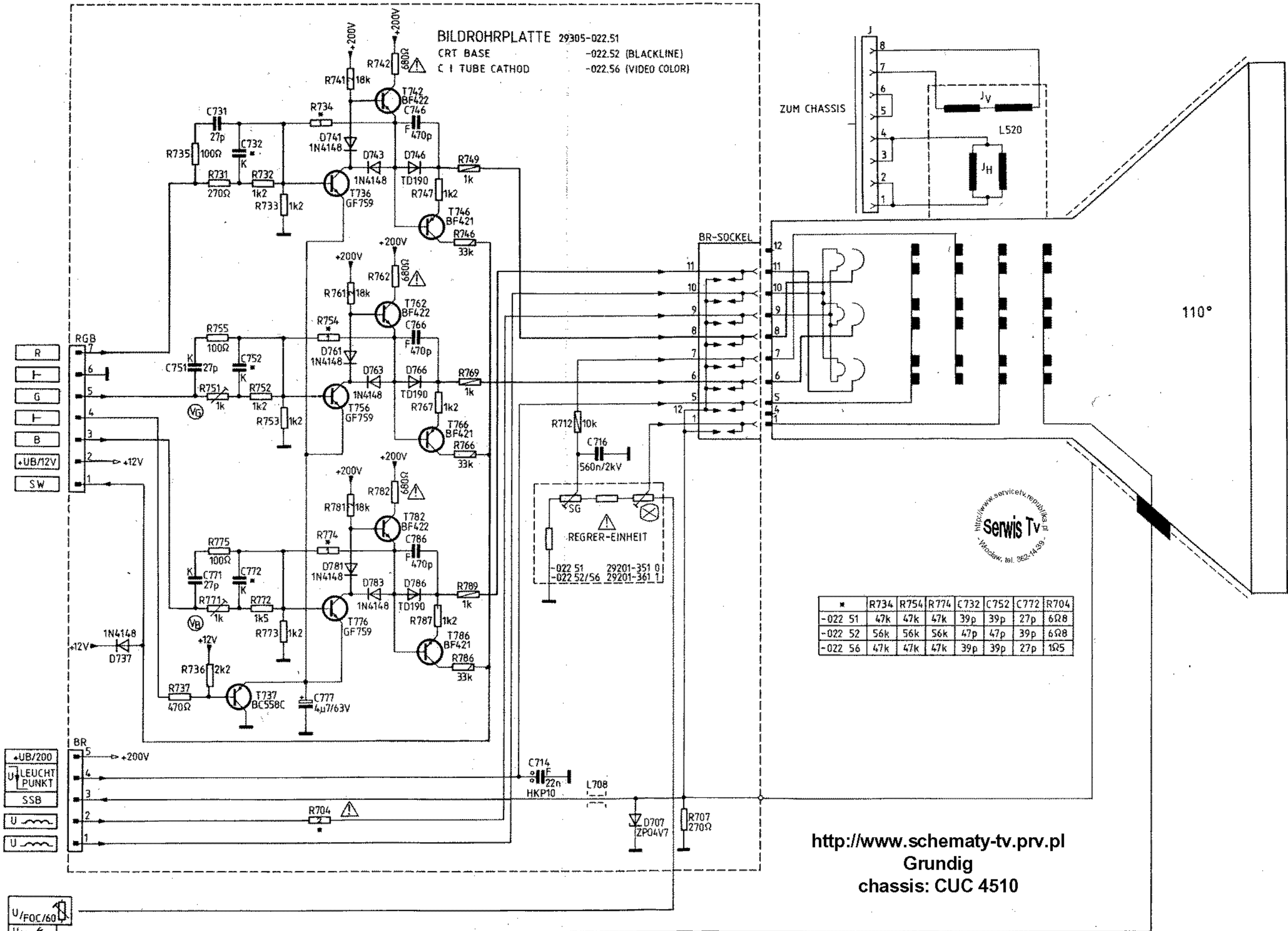


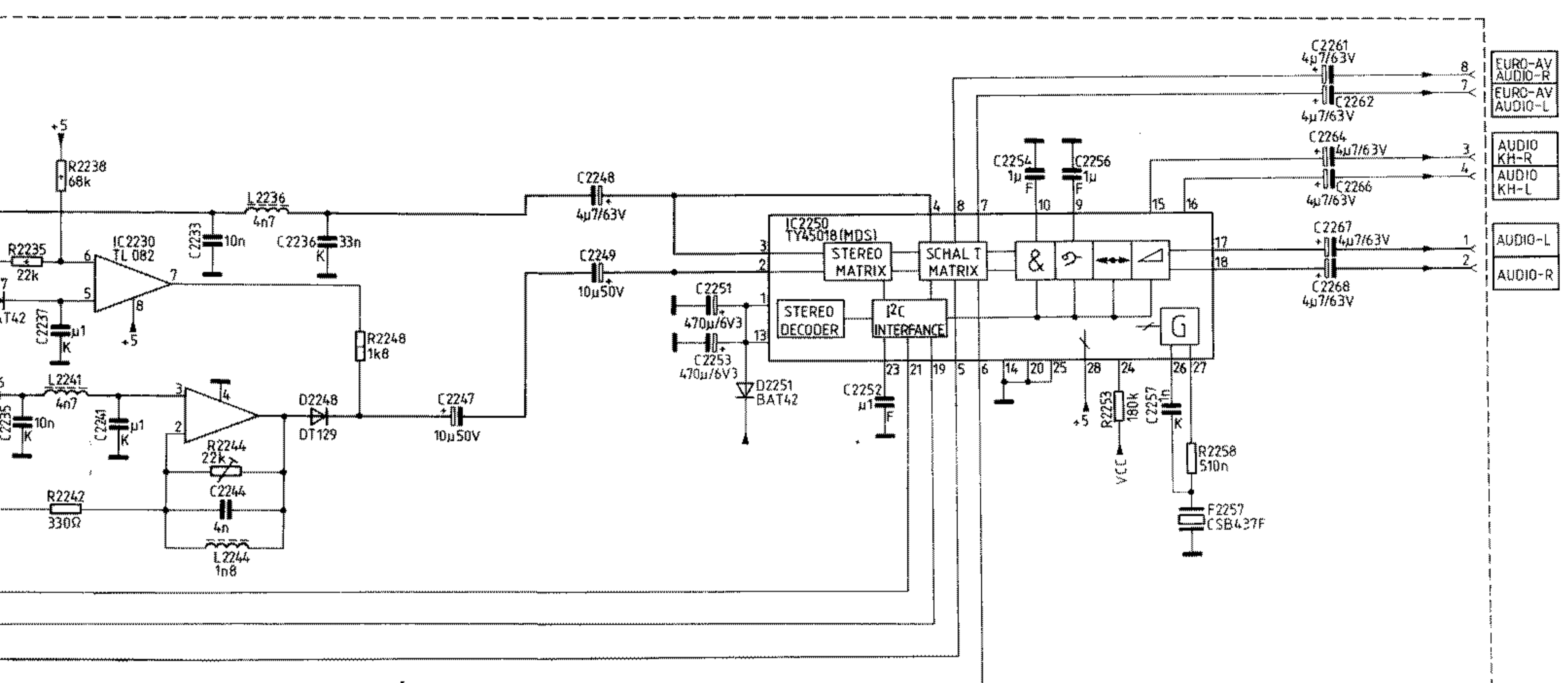
FARB- RGB 29504-105.21/23/26
COLOUR/RGB -145.21/23FR
-185.21

Grundig CUC 4510

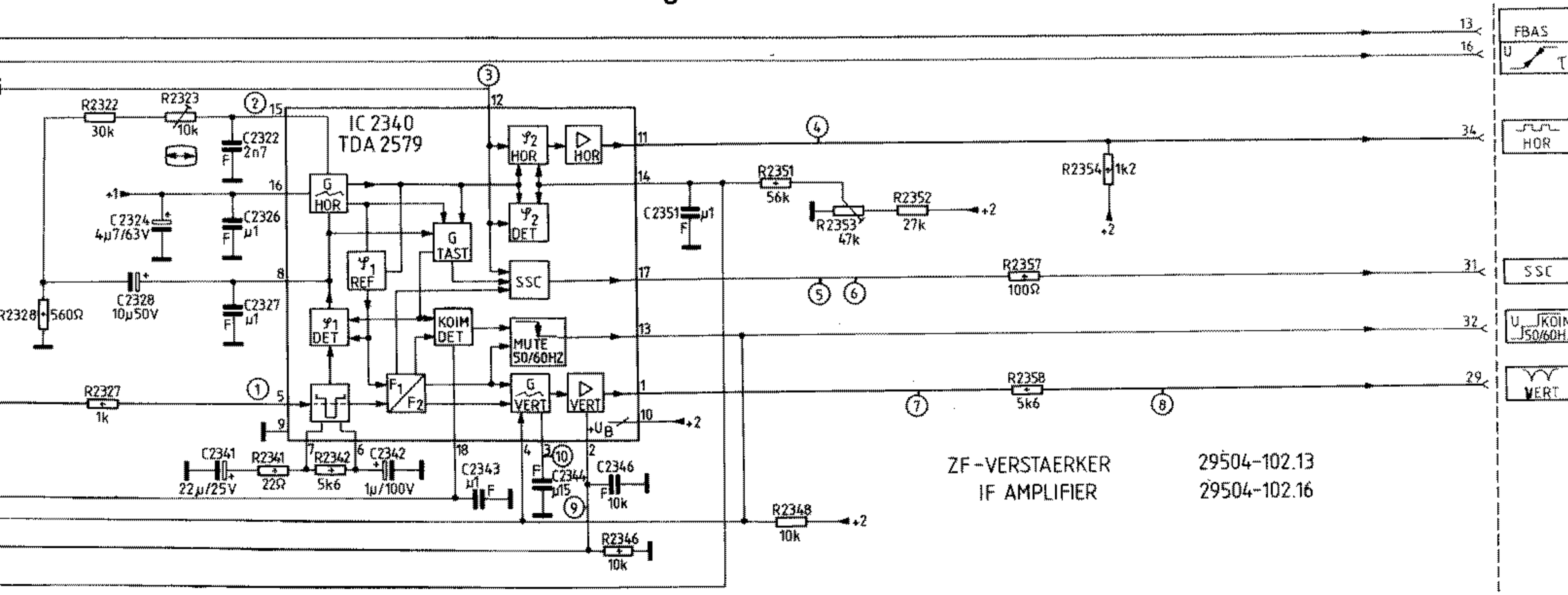
R G B SSB



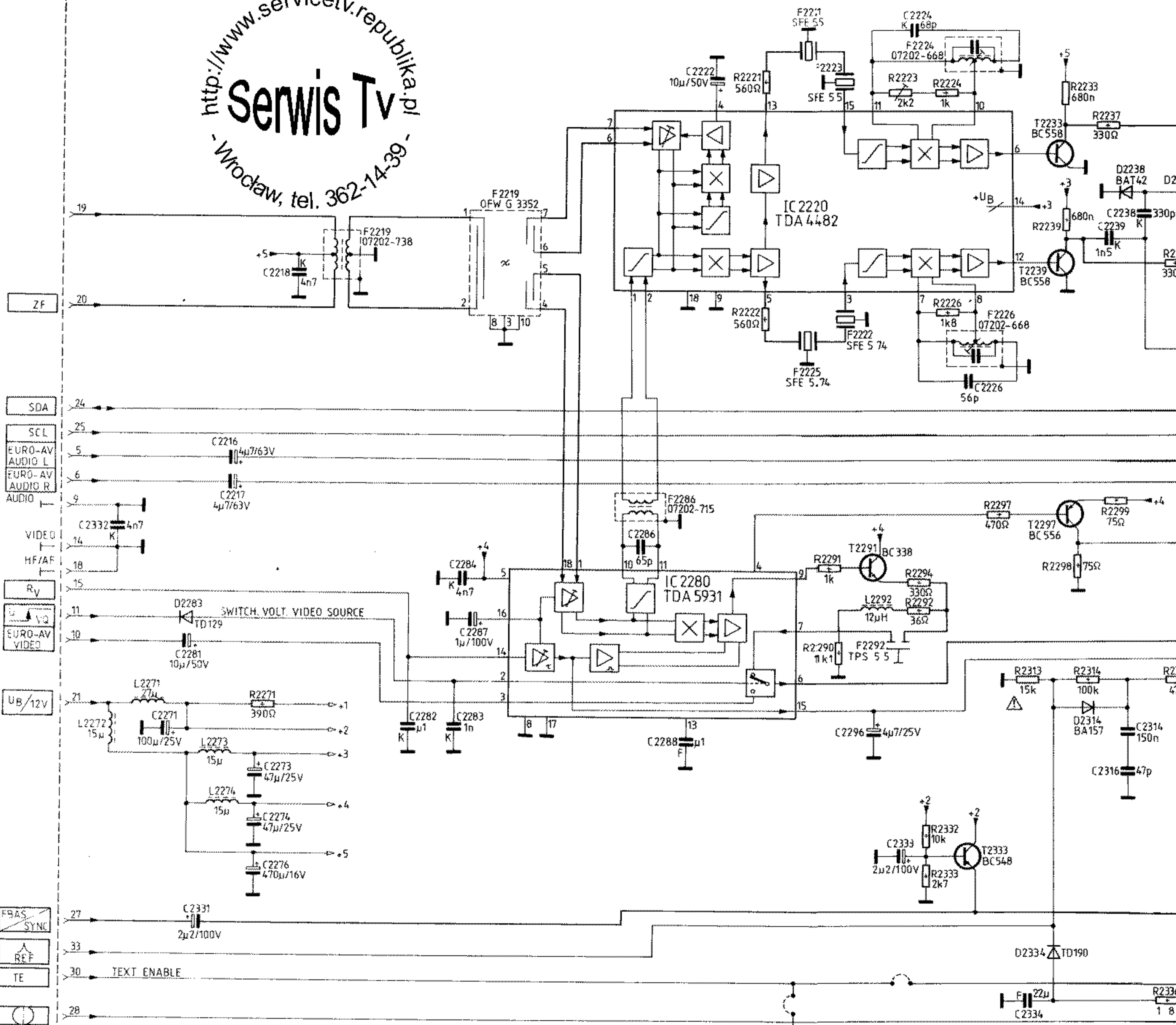


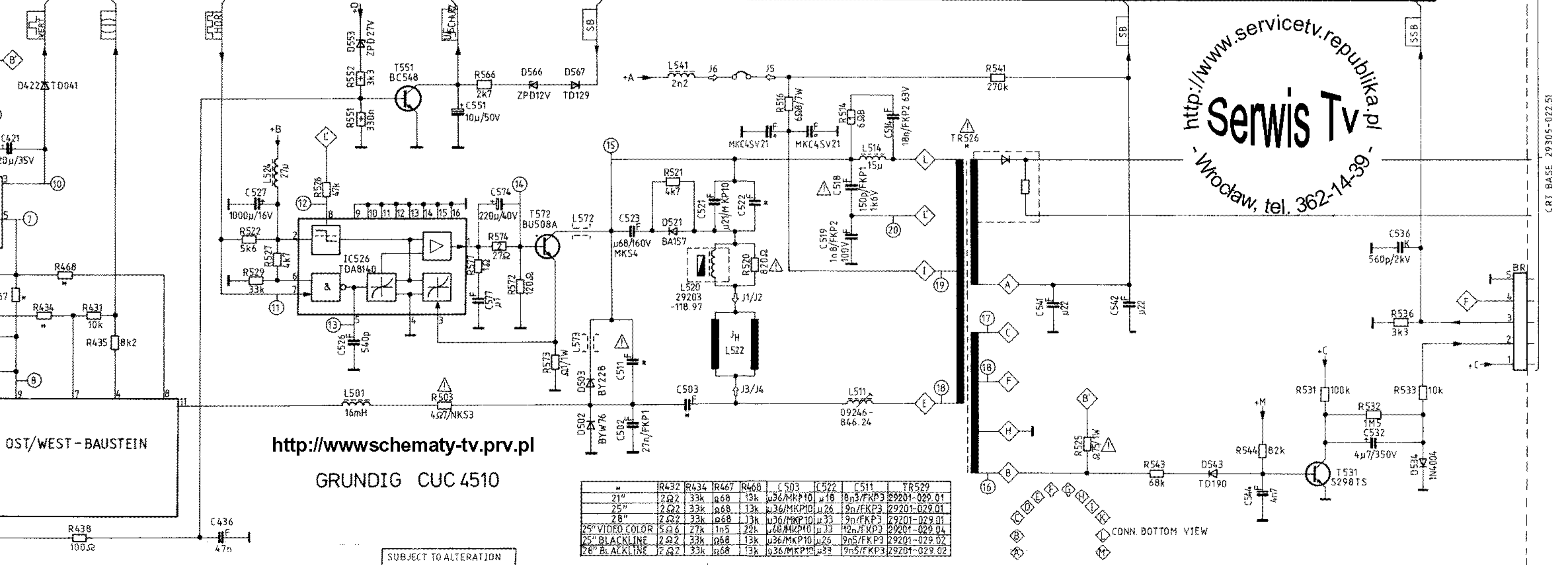
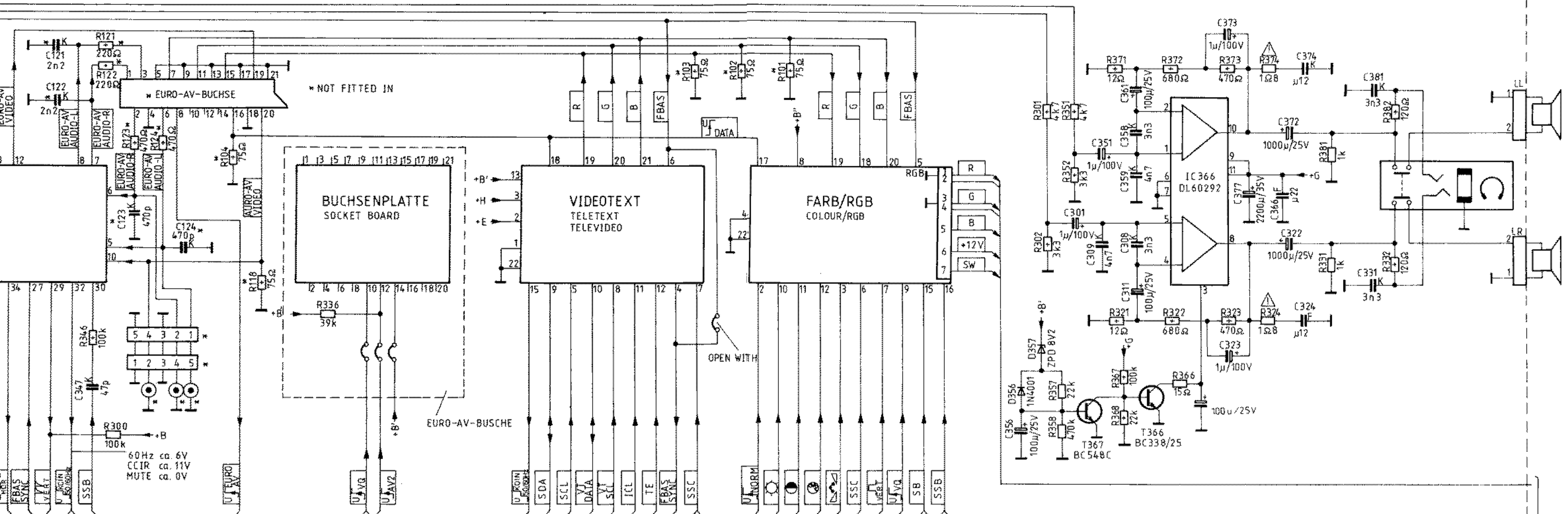


<http://www.schematy-tv.prv.pl>
 Grundig CUC 4510



ZF-VERSTAERKER 29504-102.13
 IF AMPLIFIER 29504-102.16





	R432	R434	R467	R468	C503	C522	C511	TR529
21"	2.2k	33k	680	13k	μ36/MKP10	μ18	9n3/FKP3	29201-029.01
25"	2.2k	33k	680	13k	μ36/MKP10	μ26	9n/FKP3	29201-029.01
28"	2.2k	33k	680	13k	μ36/MKP10	μ33	9n/FKP3	29201-029.01
25" VIDEO COLOR	5.0k	27k	1n5	28k	μ68/MKP10	μ33	12n/FKP3	29201-029.04
25" BLACKLINE	2.2k	33k	680	13k	μ36/MKP10	μ26	9n5/FKP3	29201-029.02
28" BLACKLINE	2.2k	33k	680	13k	μ36/MKP10	μ33	9n5/FKP3	29201-029.02

CONN. BOTTOM VIEW

CRT BASE 29305-022.51